



NAME: LED Canopy Light

P/N: SS-CX-180W

Note: Optional Lens

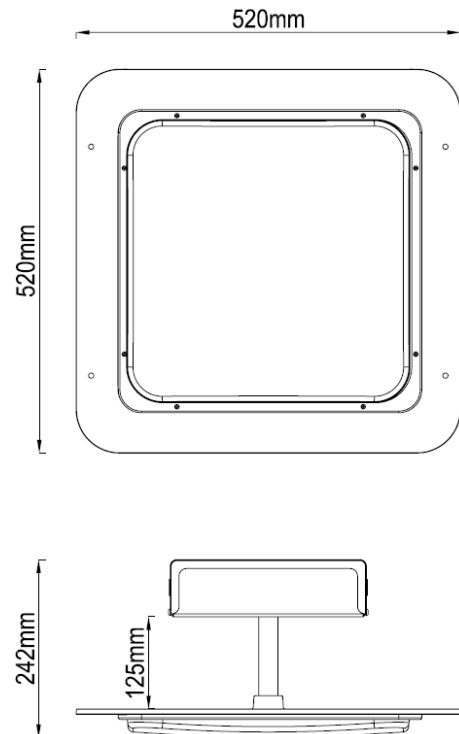
- 1: Stripe lens
- 2: Frosted lens

Advantage:

- UL cUL CE, ROHS certificate
- High CRI
- Mean Well IP65 driver, Input voltage 100-277Vac
- No UV or IR in the beam
- Easy to install and operate
- Energy saving, Long lifespan
- Light is soft and uniform, Safe to eyes
- Instant start, NO flickering, NO humming
- Green and eco-friendly without mercury.

Application:

- ◆ Gas station
- ◆ Service station, Toll station.



Product Specifications

Product name	LED Canopy Light
Part No	SS-CX-180W
Dimension	520 x 520 x 242mm

Technical Characteristic

Color temperature	2700-6500K
CRI	>80
Lumen	21000 - 24500LM
Input Power	180W
Viewing Angle	120°
Input Voltage	100-277Vac 50/60Hz
Driver model	HLG-185H-48A (Mean Well Driver)
PFC	>0.9
Waterproof Rating	IP65

Materials

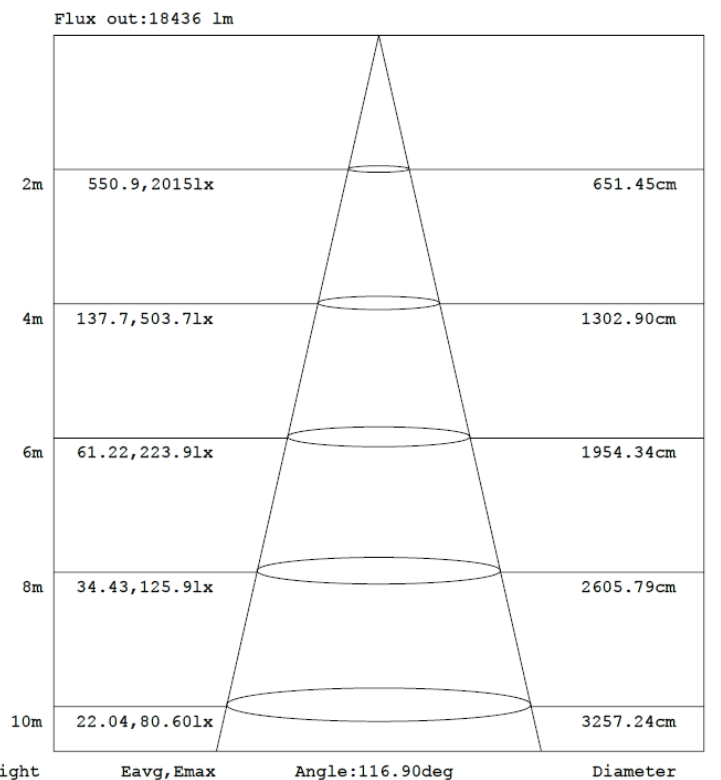
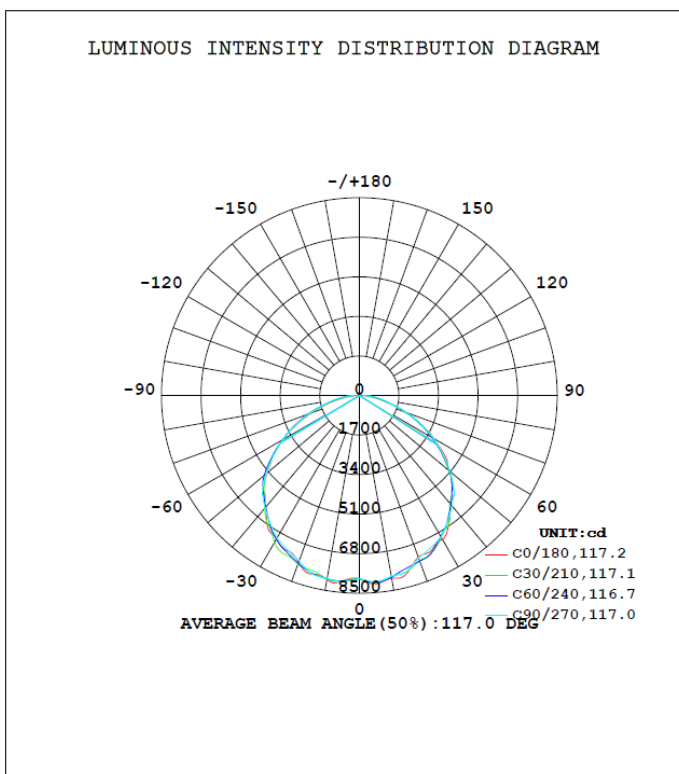
LED Brand	Epistar
LED Type	2835 (0.2W)
LED QTY	1095 PCS
Housing	Aluminum
Housing color	White

Others

Operating Temperature	-20°C TO 45°C
Operating Humidity	20%-90% RH
Storage Temperature	-30°C TO 80°C
Storage Humidity	10%-95%
Application	Outdoor / Indoor
Safety Certification	UL, cUL, CE, ROHS
Warranty Time	5 Years

Light Distribution Testing Parameters

DATA OF LAMP		PHOTOMETRIC DATA Eff: 133.26 lm/W			
MODEL		I _{max} (cd)	8142	S/MH (C0/180)	1.36
NOMINAL POWER (W)	180	LOR (%)	100.0	S/MH (C90/270)	1.33
RATED VOLTAGE (V)	120	TOTAL FLUX (lm)	24085	η UP, DN (C0-180)	0.0, 49.4
NOMINAL FLUX (lm)	24084.6	CIE CLASS	DIRECT	η UP, DN (C180-360)	0.0, 50.6
LAMPS INSIDE	1	η up (%)	0.0	CIBSE SHR NOM	1.50
TEST VOLTAGE (V)	120	η down (%)	100.0	CIBSE SHR MAX	1.50

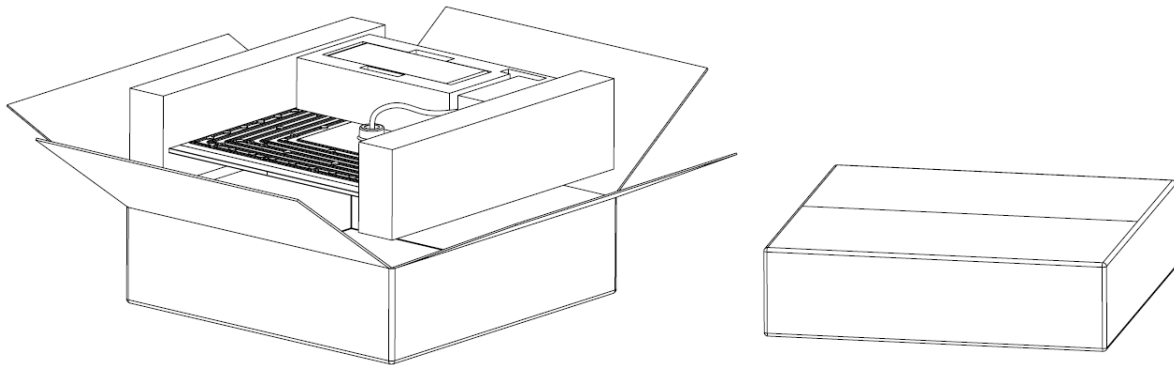


Note: The Curves indicate the illuminated area and the average illumination when the luminaire is at different distance.

Package

Lamps Net Weight: 9 Kg/pc

	Size	Qty/ Carton	Weight/ Carton
Outer box	560 x 560 x 160mm	1	10.5 KG



Notice For User

- ◆ Please turn off power before install or change assembly parts.
- ◆ The input voltage and lamps should be matched, after connecting the power line, Please make sure the wiring section is insulated.
- ◆ No-professionals, must not install and disassemble the lamps.

Trouble Shootings

Troubles	Check points
Flickering of the light	Turn off the power and turn on again in 3 minutes. If same phenomena occur, then call agencies
Out of working	Please check the connection