

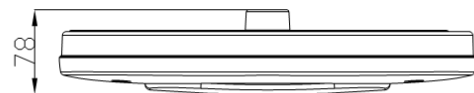
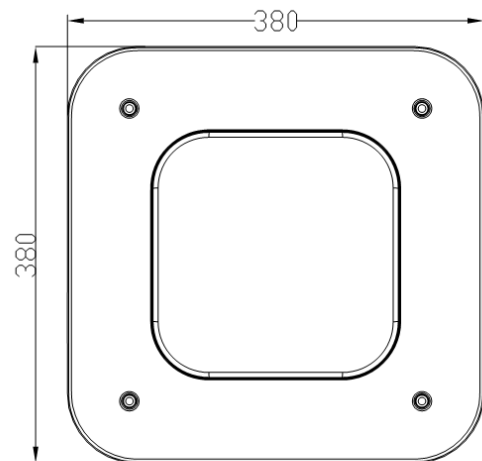


NAME: LED Canopy Light

P/N: SS-CN-100W

Advantage:

- PHILIPS Chip, high CRI
- Mean Well IP65 driver, input voltage 100-277VAC
- No UV or IR in the beam
- Easy to install and operate
- Energy saving, long lifespan
- Light is soft and uniform, safe to eyes
- Instant start, NO flickering, NO humming
- Green and eco-friendly without mercury.



Application:

- ◆ Gas station

Product Specifications

Product name	LED Canopy Light
Part No	SS-CN-100W
Light Type	Canopy Light
Dimension	380*380*78mm

Technical Characteristic

Color temperature	2700-7000K
CRI	>70
Lumen	10000-11000LM
Input Power	110W
Viewing Angle	110 Degree
Input Voltage	AC100-277V 50/60Hz
Driver model	CEN-100-48(Mean Well Driver)
PFC	>0.9
Waterproof Rating	IP65

Materials

LED Brand	PHILIPS
LED Type	3030, 1.5W
LED QTY	126 PCS
Housing	Aluminum
Housing color	White

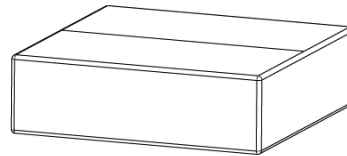
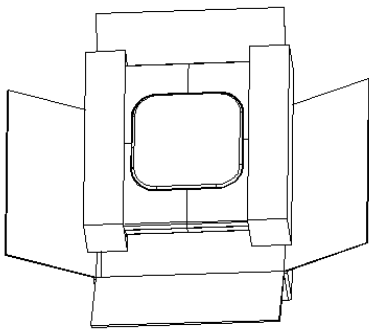
Others

Operating Temperature	-20℃ TO 45℃
Operating Humidity	20%-90% RH
Storage Temperature	-30℃ TO 80℃
Storage Humidity	10%-95%
Application	Outdoor
Safety Certification	UL、cUL
Warranty Time	5 Years

Package

Lamps Net Weight: 5.8Kg/pcs

	Size	Qty/Carton	Weight/Carton
Outer box	425*420*120mm	1	6.7 kg



Notice For User

- ◆ Please turn off power before install or change assembly parts.
- ◆ The input voltage and lamps should be matched, after connecting the power line, Please make sure the wiring section is insulated.
- ◆ No-professionals, must not install and disassemble the lamps.

Trouble Shootings

Troubles	Check points
Flickering of the light	Turn off the power and turn on again in 3 minutes. If same phenomena occur, then call agencies
Out of working	Please check the connection